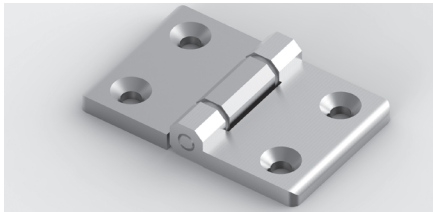
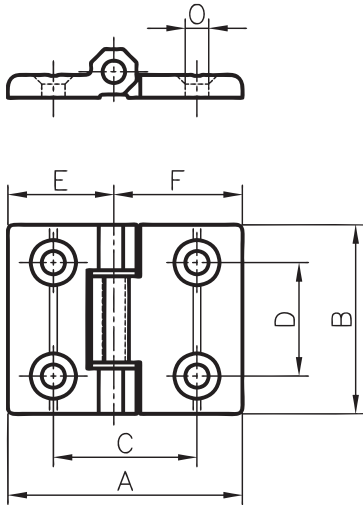


### Zn-die cast hinges fixed type



#### Specification

GD-Zn, nickel plated  
(black powder coated on request)  
Pin: steel zinc coated  
washer: PA-6 white

#### Order data

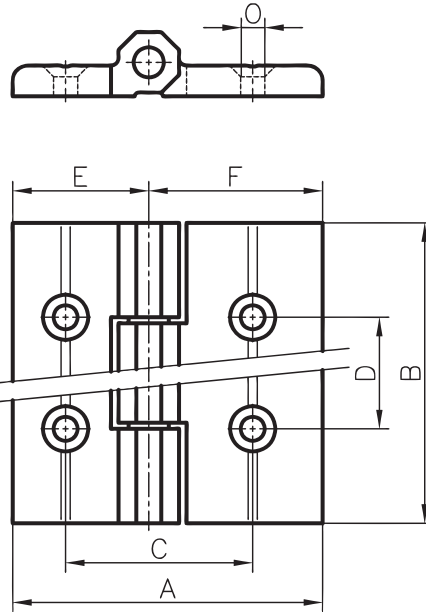
##### Zn-diecasting hinges

Base	A	B	C	D	E	F	O
50	78	50	54	30	39	39	6.3
50/40	73	50	49	30	34	39	6.3
50/30	67	50	43	30	28	39	6.3
40	68	50	44	30	34	34	6.3
40/30	62	50	38	30	28	34	6.3
30	56	50	32	30	28	28	6.3
20	40	40	25	25	20	20	5.3

##### Al-heavy duty hinges

Base	A	B	C	D	E	F	O
50	92	100	54	75	46	46	6.3
50/40	82	100	49	75	36	46	6.3
45	72	100	49	75	36	36	6.3
40	72	100	44	75	36	36	6.3

### Al-heavy duty hinges fixed type



#### Specification

Al, anodised natural colours  
Pin: steel zinc coated  
bush bearing: iglidur G, grey

#### Order number

A60-21\*  
AC6-21\*/\*\*  
AB6-21\*  
C60-21\*  
CB6-21\*  
B60-21\*  
D60-21\*

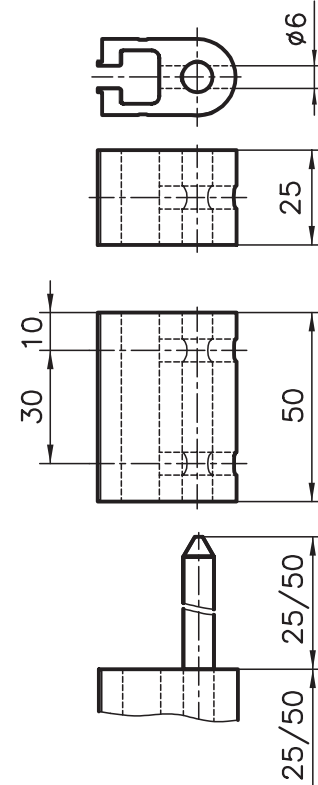
\* the order number for the fixing kit add

-S to the art.no.:

Example: A60-21-S

\*\* also applicable for 45x45

### Special hinges lift-off type



#### Specification

Al anodised natural colours  
Pin Ø 8mm: steel zinc coated

#### Order data

#### Order number

	L = 25	L = 50
Hinge component , no pin	A60-50	A60-55
Hinge component, with a pin	A60-51	A60-56